

Technical data

Horizontal fuse-switch disconnecter type KVL size 00, 1, 2, 3 (baseplate mounting)

Technical data (in accordance with IEC/EN 60947-3)

Size	00						1							
Technical Characteristics														
Rated operational voltage	U _e	V	400 AC	500 AC	690 AC	250 DC	440 DC	400 AC	500 AC	690 AC	250 DC	440 DC		
Rated operational current*	I _e	A	160	160	160	160	160	250	250	250	250	250		
Conv. free air thermal current with fuse-links*	I _{th}	A	160						250					
Conv. free air thermal current with solid-links*	I _{th}	A	210						325					
Rated frequency	f	Hz	40-60	40-60	40-60	/	/	40-60	40-60	40-60	/	/		
Rated insulation voltage	U _i	V	1000 AC						1000 AC					
Total power loss (without fuse)	P _v	W	1P - 3W, 3P - 9W						1P - 5W, 3P - 15W					
Power loss at 80% I _{th} (without fuse-links), **	P _v	W	1P - 1,9W, 3P - 5,8W						1P - 3,2W, 3P - 9,6W					
Rated impulse withstand voltage	U _{imp}	kV	8						8					
Utilisation category***			AC-23B	AC-22B	AC-21B	DC-22B	DC-21B	AC-23B	AC-22B	AC-21B	DC-22B	DC-21B		
Rated conditional short-circuit current, ***, ****		kA	120 (500V), 100 (690V)						120 (500V), 100 (690V)					
Rated short-time withstand current	I _{cw}	kA	5/1s						8,6/1s					
Fuse links														
Size - DIN VDE 0636-2	-	-	000/00						1					
Max. rated current (gG)	I _n	A	160	160	160	160	160	250	250	250	250	250		
Max. permissible power loss per fuse link	P _a	W	12						23					
Cable terminal														
Flat terminal-Screw			M8						M10					
Tightening torque	Ma	Nm	12-15						30-35					
Clip terminal, Clamping cross-section		mm ²	Round conductor: 1,5-70 Cu, Laminated copper bar: 6 x 9 x 0,8 Cu						Round conductor: 2,5-150 Cu, Laminated copper bar: 6 x 16 x 0,8 Cu					
Tightening torque	Ma	Nm	2,6						9,5					
Prism Clamp, Clamping cross-section		mm ²	(SP KVL00 P1); 10-70 Al/Cu, 35-95 Al/Cu						(SP KVL1 P1); 10-150 Al/Cu					
Tightening torque	Ma	Nm	(SP KVL00 P1); 2,6						(SP KVL1 P1); 4,5					
Prism Clamp, Clamping cross-section		mm ²							(SP KVL1 P2); 2 x (10-150) Al/Cu					
Tightening torque	Ma	Nm							(SP KVL1 P2); 4,5					
Frame clamp, Clamping cross-section		mm ²	1,5-95 Al/Cu, (Al 95: max. 125A), *****						35-150 Al/Cu					
Torque	Ma	Nm	4,5						12					
Degree of Protection, front side device														
Front cover close	-	-	IP20						IP20					
Front cover open	-	-	IP10						IP10					
With clamp- and lateral cover	-	-	IP2XC						IP2XC					
Operating condition														
Ambient temperature *****	T _{amb}	°C	-25 ... +55						-25 ... +55					
Operating condition	-	-	Continuous operation						Continuous operation					
Mounting	-	-	vertical, horizontal						vertical, horizontal					
Altitude	-	m	≤ 2000						≤ 2000					
Pollution degree	-	-	3						3					
Overvoltage category	-	-	III						III					

* Mounting of several units in low voltage switchgear-combinations, please think about rated diversity factors acc. to DIN EN 61439.

** Reference value for replacement of devices acc. to DIN EN 61439-1 clause 10.10.4.2.

*** minimum distance to earthed, conductive parts: Lateral: 20mm/Above: 50mm

*** a) Lateral: 50mm/Above: 100mm

**** Type tested with NH fuse-links characteristic gG

***** 35°C Normal temperature, at 55°C with reduced operating current

Technical data (in accordance with IEC/EN 60947-3)

Size	2						3							
Technical Characteristics														
Rated operational voltage	U_e	V	400 AC	500 AC	690 AC	250 DC	440 DC	400 AC	500 AC	690 AC	250 DC	440 DC		
Rated operational current*	I_e	A	400	400	400	400	400	630	630	630	630	630		
Conv. free air thermal current with fuse-links*	I_{th}	A	400						630					
Conv. free air thermal current with solid-links*	I_{th}	A	520						910					
Rated frequency	f	Hz	40-60	40-60	40-60	/	/	40-60	40-60	40-60	/	/		
Rated insulation voltage	U_i	V	1000 AC						1000 AC					
Total power loss (without fuse)	P_v	W	1P - 9W, 3P - 28W						1P - 17W, 3P - 51W					
Power loss at 80% I _{th} (without fuse-links), **	P_v	W	1P - 6W, 3P - 17,9W						1P - 10,9W, 3P - 32,6W					
Rated impulse withstand voltage	U_{imp}	kV	8						8					
Utilisation category***			AC-23B	AC-22B	AC-21B	DC-22B	DC-21B	AC-23B	AC-22B	AC-21B	DC-22B	DC-21B		
Rated conditional short-circuit current, ***, ****		kA	120 (500V), 100 (690V)						120 (500V), 100 (690V)					
Rated short-time withstand current	I_{cw}	kA	15/1s						15/1s					
Fuse links														
Size - DIN VDE 0636-2	-	-	2						3					
Max. rated current (gG)	I_n	A	400	400	400	400	400	630	630	630	630	630		
Max. permissible power loss per fuse link	P_a	W	34						48					
Cable terminal														
Flat terminal-Screw			M10						M10 / M12					
Tightening torque	M_a	Nm	30-35						30-35					
Clip terminal, Clamping cross-section		mm ²	Round conductor: 25-150 Cu, Laminated copper bar: 10 x 16 x 0,8 Cu						Laminated copper bar: 11 x 21 x 1 Cu					
Tightening torque	M_a	Nm	23						23					
Prism Clamp, Clamping cross-section		mm ²	(SP KVL2 P1); 120-240 Al/Cu						(SP KVL3 P1); 120-300 Al/Cu					
Tightening torque	M_a	Nm	(SP KVL2 P1); 11						(SP KVL3 P1); 11					
Prism Clamp, Clamping cross-section		mm ²	(SP KVL2 P2); 2 x (120-150) Al/Cu						(SP KVL3 P2); 2 x (120-240) Al/Cu					
Tightening torque	M_a	Nm	(SP KVL2 P2); 11						(SP KVL3 P2); 11					
Frame clamp, Clamping cross-section		mm ²	95-300 Al/Cu						95-300 Al/Cu					
Torque	M_a	Nm	20						20					
Degree of Protection, front side device														
Front cover close	-	-	IP20						IP20					
Front cover open	-	-	IP10						IP10					
With clamp- and lateral cover	-	-	IP2XC						IP2XC					
Operating condition														
Ambient temperature *****	T_{amb}	°C	-25 ... +55						-25 ... +55					
Operating condition	-	-	Continuous operation						Continuous operation					
Mounting	-	-	vertical, horizontal						vertical, horizontal					
Altitude	-	m	≤ 2000						≤ 2000					
Pollution degree	-	-	3						3					
Overvoltage category	-	-	III						III					

* Mounting of several units in low voltage switchgear-combinations, please think about rated diversity factors acc. to DIN EN 61439.

** Reference value for replacement of devices acc. to DIN EN 61439-1 clause 10.10.4.2.

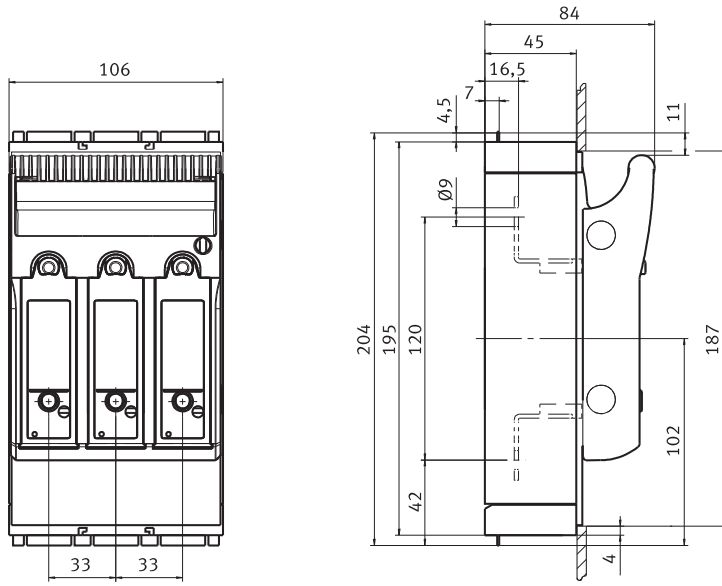
*** minimum distance to earthed, conductive parts: Lateral: 20mm/Above: 50mm

*** a) Lateral: 50mm/Above: 100mm

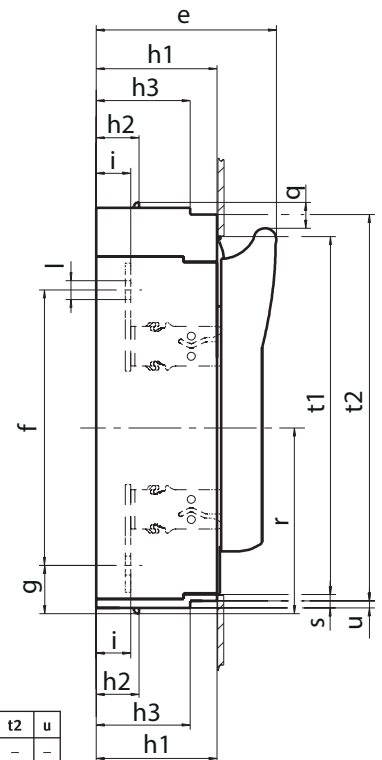
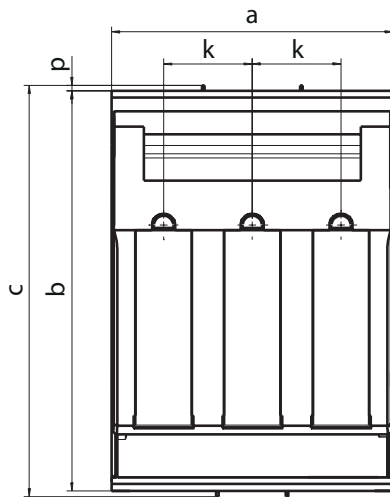
**** Type tested with NH fuse-links characteristic gG

***** 35°C Normal temperature, at 55°C with reduced operating current

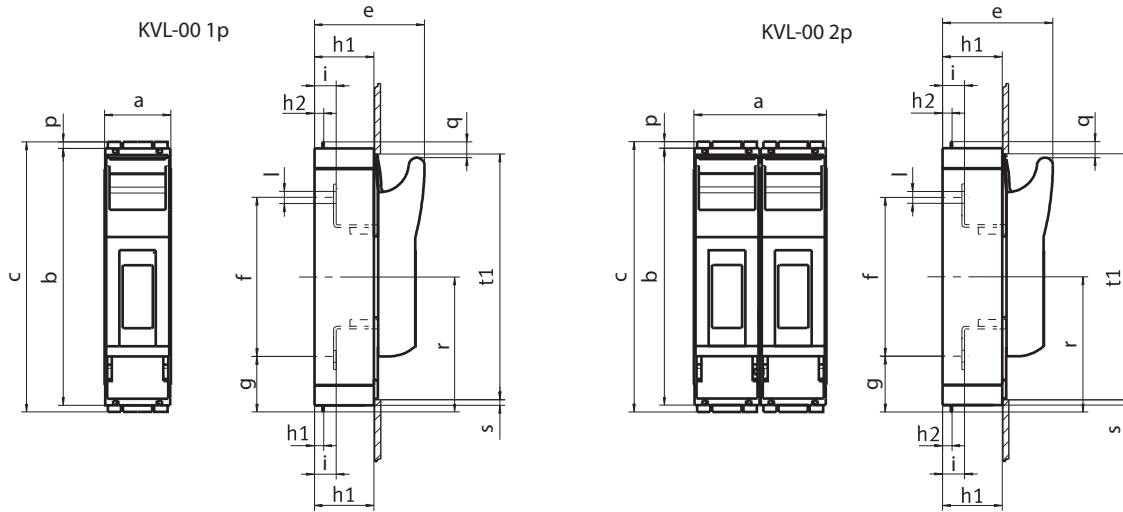
Technical data



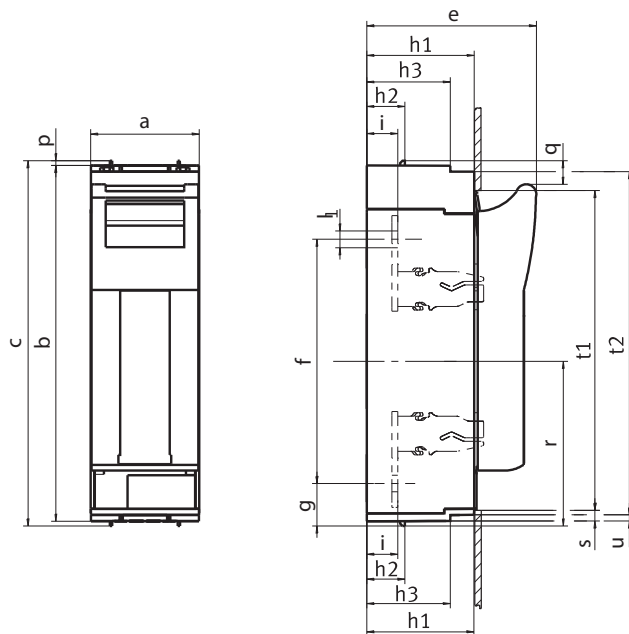
KVL-00 3p M8-M8
KVL-00 3p BC95-BC95
KVL-00 3p M8-M8 LED
KVL-00 3p BC95-BC95 LED



	a	b	c	e	f	g	h1	h2	h3	i	k	l	p	q	r	s	t1	t2	u
KVL-1 3p M10-M10 (LED)	184	298	306	117	185	46	70	32	-	25	58	Ø10,5	4	19	138	5	272	-	-
KVL-2 3p M10-M10 (LED)	210	298	306	134	205	36	90	32	70	26	66	Ø14	4	19	138	10	268	288	5
KVL-3 3p M10-M10 (LED)	250	298	306	143	205	36	90	32	70	26	82	Ø14	4	19	138	10	268	288	5

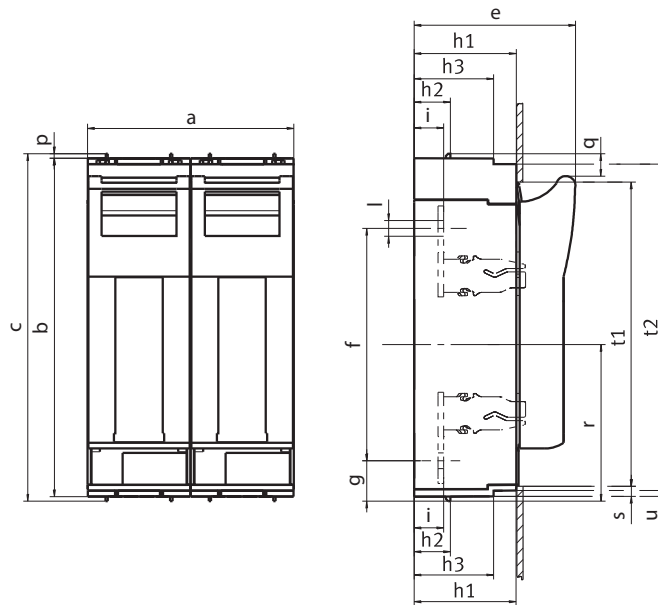


	a	b	c	e	f	g	h1	h2	h3	i	l	p	q	r	s	t1
KVL-00 1p M8-M8	50	195	204	84	120	42	45	7	-	16,5	∅9	4,5	12	102	5	187
KVL-00 2p M8-M8	100	195	204	84	120	42	45	7	-	16,5	∅9	4,5	12	102	5	187

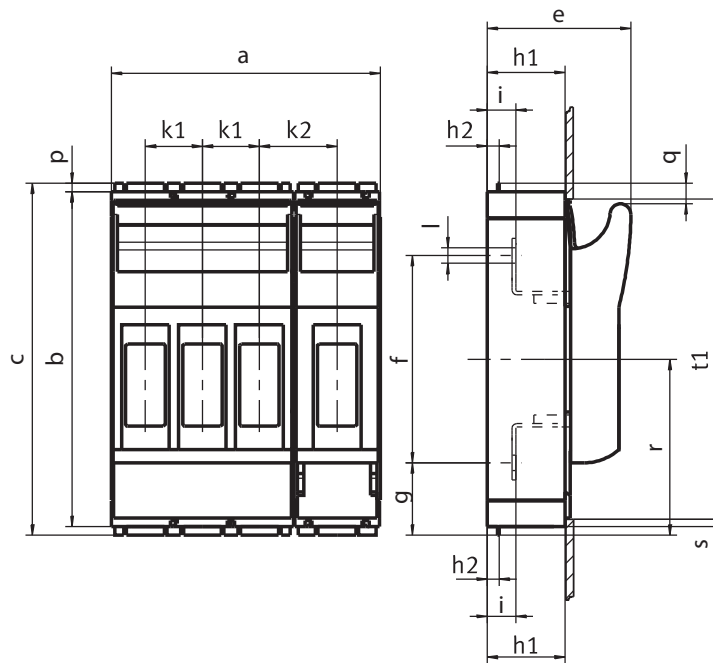


	a	b	c	e	f	g	h1	h2	h3	i	l	p	q	r	s	t1	t2	u
KVL-1 1p M10-M10	69	298	306	117	185	46	70	32	-	25	∅10,5	4	19	138	5	272	-	-
KVL-3 1p M10-M10	91	298	306	143	205	36	90	32	70	26	∅14	4	19	138	10	268	288	5

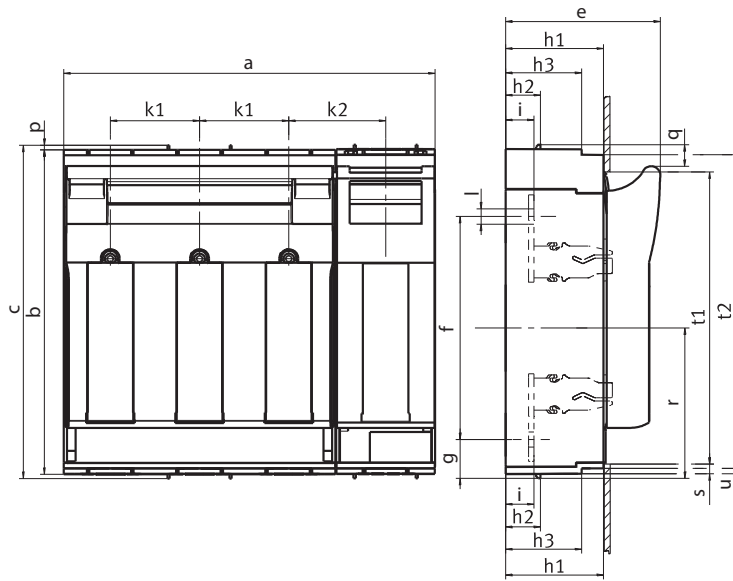
Technical data



	a	b	c	e	f	g	h1	h2	h3	i	l	p	q	r	s	t1	t2	u
KVL-1 2p M10-M10	138	298	306	117	185	46	70	32	-	25	∅10,5	4	19	138	5	272	-	-
KVL-3 2p M10-M10	182	298	306	143	205	36	90	32	70	26	∅14	4	19	138	10	268	288	5



	a	b	c	e	f	g	h1	h2	h3	k1	k2	i	l	p	q	r	s	t1	t2	u
KVL-00 4p M8-M8	156	195	204	84	120	42	45	7	-	33	45	16,5	∅9	4,5	12	102	5	187	-	-



	a	b	c	e	f	g	h1	h2	h3	k1	k2	i	l	p	q	r	s	t1	t2	u
KVL-1 4p	254	298	306	117	185	46	70	32	-	58	69	25	Ø10,5	4	19	138	5	272	-	-
KVL-3 4p	341,5	298	306	143	205	36	90	32	70	82	89	26	Ø14	4	19	138	10	268	288	5

Technical data - Feeding clamps

Technical Characteristics

Max. electrical load			AC690V/DC1000V-250A
Heat deflection temp.			125°C UL94: V0
Comparative tracking index			600

Cross sections

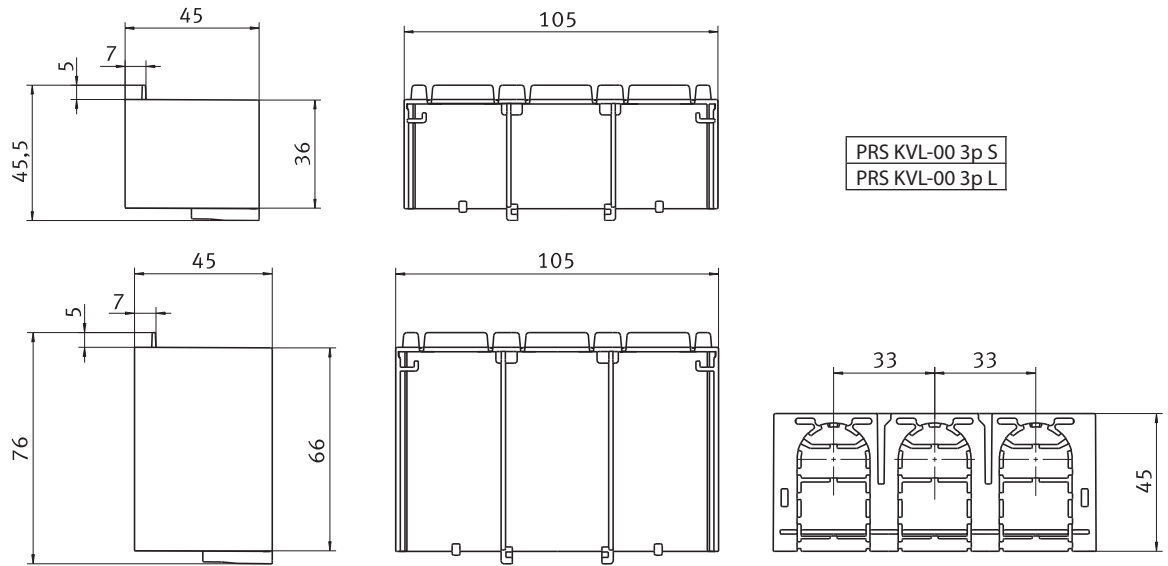
Conductor - Max. Diameter Ø14 mm			
single wire		mm ²	25 - 95
multi wire		mm ²	25 - 95
fine wire (with end sleeve)		mm ²	25 - 70
Torque	Ma	Nm	13
Degree of protection			IP20
Regulations			EN 60998-1:2004; EN 60998-2:2004; EN 60999-1:2000; EN 60999-2:2003



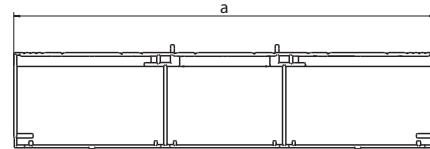
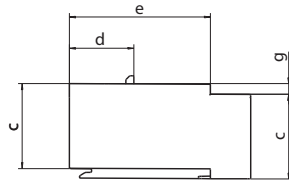
Important

This Terminal is suitable for Al and Cu conductors. Please pay attention to the common handling guidelines when connecting the Aluminium conductors. Clean and brush the contact surfaces and lubricate them with an appropriate grease.

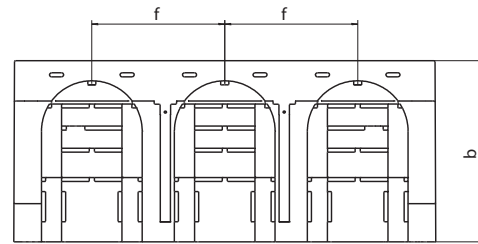
Technical data



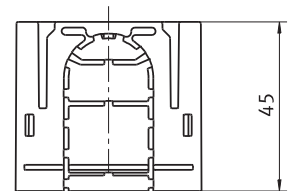
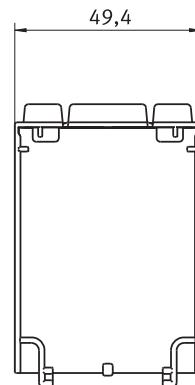
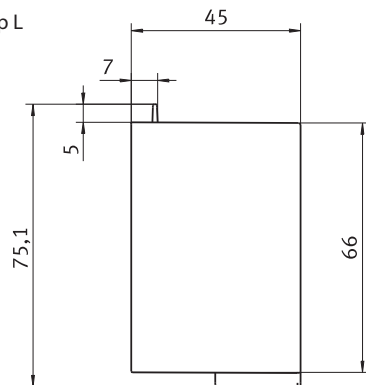
PRS KVL-00 3p S
PRS KVL-00 3p L



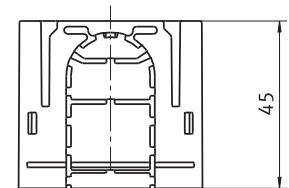
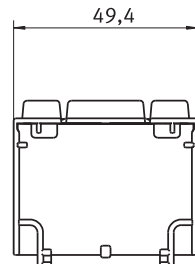
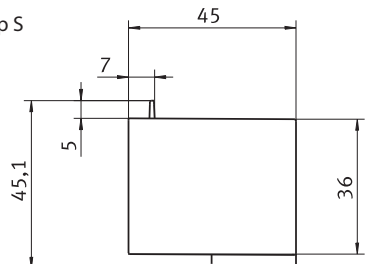
	a	b	c	d	e	f	g
PRS KVL-1 3p	184	70	42	32	-	58	-
PRS KVL-2 3p	210	90	42	32	70	66	5
PRS KVL-3 3p	250	90	42	32	70	82	5



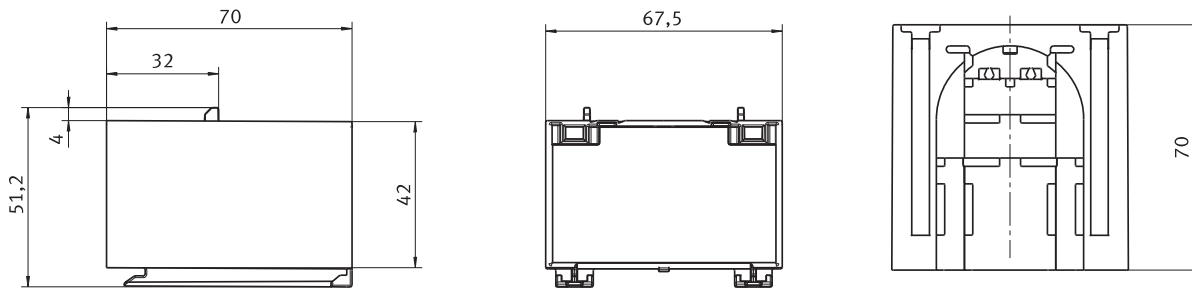
PRS KVL-00 1p L



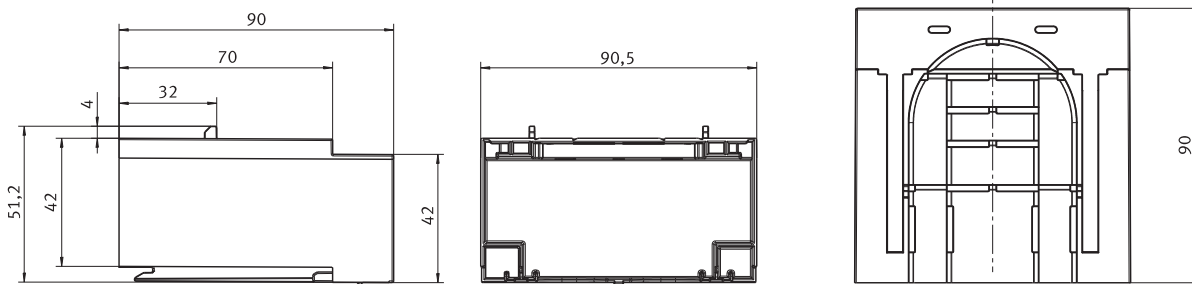
PRS KVL-00 1p S



PRS KVL-1 1p



PRS KVL-3 1p



Technical data - Electronic fuse monitoring unit EFMU KVL

Technical Characteristics

Rated operational voltage	U_e	V	AC400-500 (+/-10%)
Power supply			Self-powered
Input power		VA	1,5
Overvoltage category			230/400 V : III , (4kV) 500 V : II , (4kV)
Rated frequency	f	Hz	50-60
Input resistance			>1k Ohm/V

Output channels

Relay output			1NC/1NO
Maximum voltage		V	AC250/DC24
Maximum switching current		A	1

General data

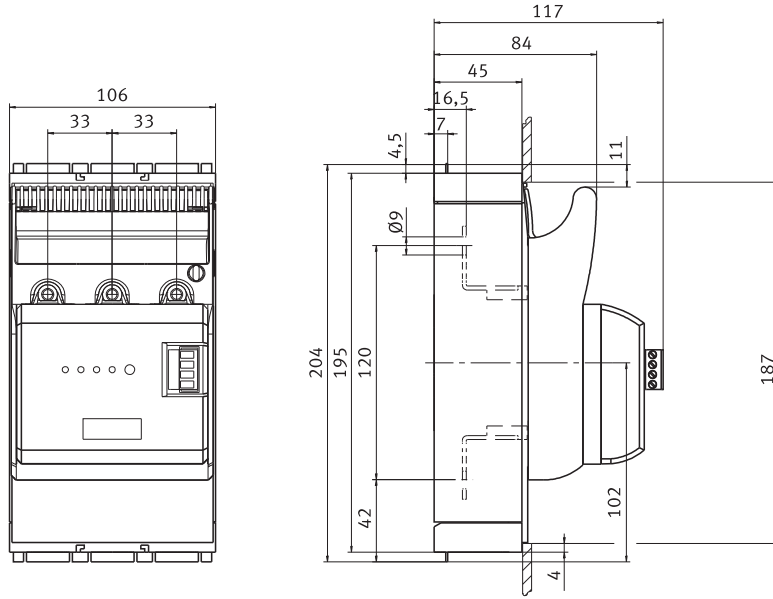
Operation indicator			1 LED green
Alarm indicator			3 LED (F1, F2, F3) red
Functional test			Test key for relay + LEDs
EMC			IEC 61000-4-5/IEC 61000-4-4
Degree of protection			IP 3X

Operating conditions

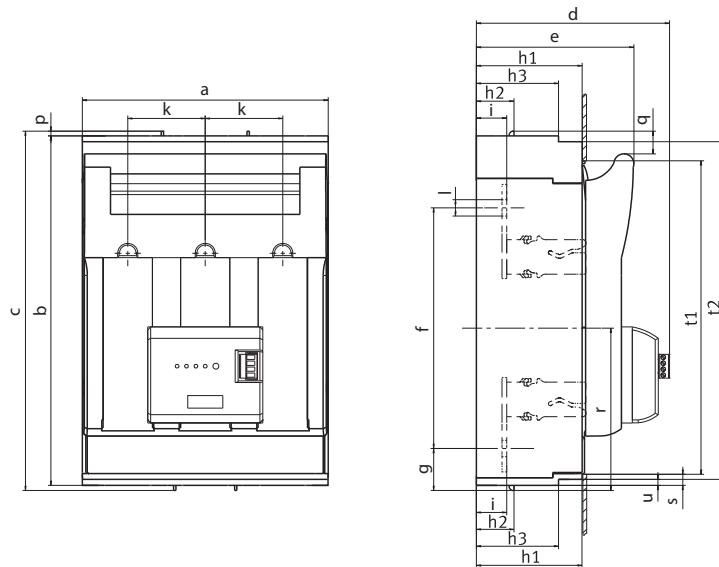
Ambient temperature	T_{amb}	°C	-5 ... +55
---------------------	-----------	----	------------

No single detection of parallel connected fuses!

Technical data



KVL-00 3p M8-M8 + EFMU KVL-00 3p
 KVL-00 3p BC95-BC95 + EFMU KVL-00 3p



	a	b	c	d	e	f	g	h1	h2	h3	i	k	l	p	q	r	s	t1	t2	u
KVL-1 3p M10-M10 + EFMU KVL-1 3p	184	298	306	148	117	185	46	70	32	-	25	58	Ø10,5	4	19	138	5	272	-	-
KVL-2 3p M10-M10 + EFMU KVL-2 3p	210	298	306	165	134	205	36	90	32	70	26	66	Ø14	4	19	138	10	268	288	5
KVL-3 3p M10-M10 + EFMU KVL-3 3p	250	298	306	173	143	205	36	90	32	70	26	82	Ø14	4	19	138	10	268	288	5

Technical data - Electromechanical fuse monitoring unit MPFMU KVL

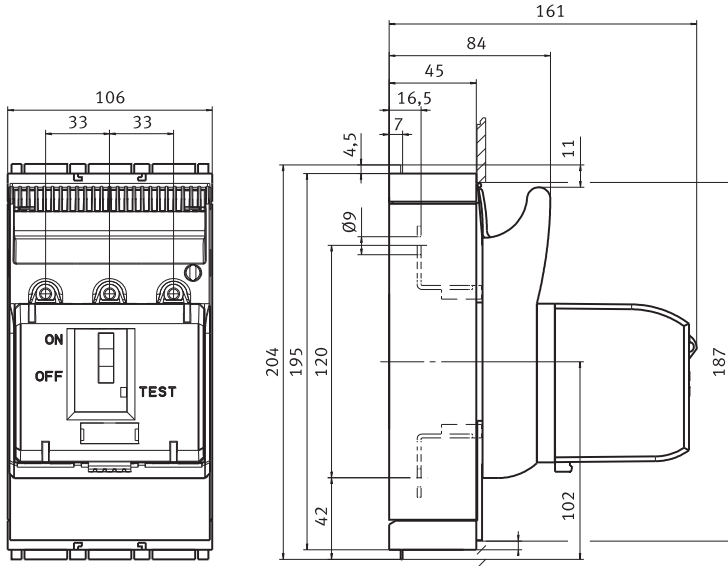
Technical Characteristics

Rated operational voltage	U_e	V	AC24...690 DC24...250
Rated short-circuit breaking capacity	I_{cn}	kA	100
Overvoltage category			230/400V : III (4kV) 500V : II (4kV)
Output channels			
Relay output			1NC/1NO
Maximum voltage		V	AC230/DC24
Maximum switching current			2,5A...AC-12 / 1A...DC-13

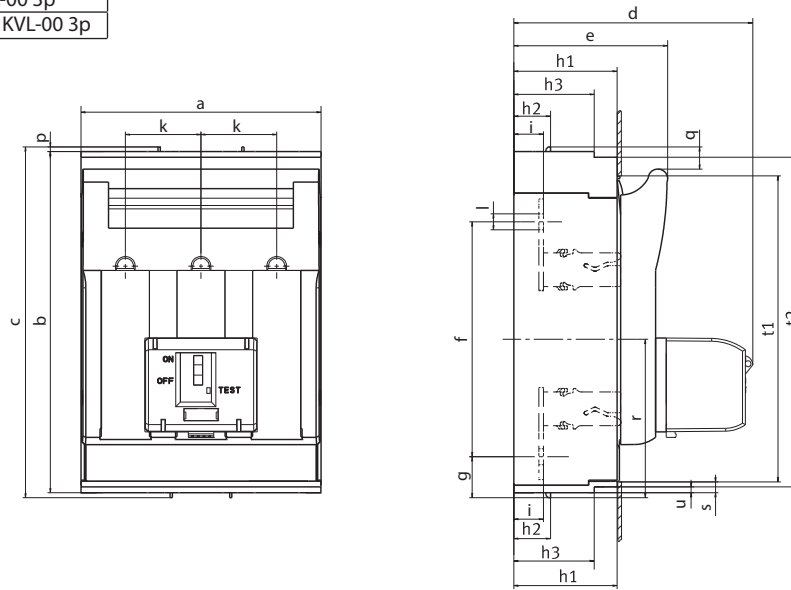
No single detection of parallel connected fuses!

Safety notes

May not be used for safety monitoring in feeders with power control units where, in the event of a fault, it is possible for a DC feedback of >300V (or >600V where 3 current paths are connected in parallel) to occur. If equipment has to be disconnected on the load side of the fuses to be monitored, make sure that no parasitic voltages can arise in the circuit-breaker that is connected in parallel with the fuse-monitoring device.



KVL-00 3p M8-M8 + MPFMU KVL-00 3p
 KVL-00 3p BC95-BC95 + MPFMU KVL-00 3p



	a	b	c	d	e	f	g	h1	h2	h3	i	k	l	p	q	r	s	t1	t2	u
KVL-1 3p M10-M10 + MPFMU KVL-1 3p	184	298	306	192	117	185	46	70	32	-	25	58	Ø10,5	4	19	138	5	272	-	-
KVL-2 3p M10-M10 + MPFMU KVL-2 3p	210	298	306	209	134	205	36	90	32	70	26	66	Ø14	4	19	138	10	268	288	5
KVL-3 3p M10-M10 + MPFMU KVL-3 3p	250	298	306	217	143	205	36	90	32	70	26	82	Ø14	4	19	138	10	268	288	5

