



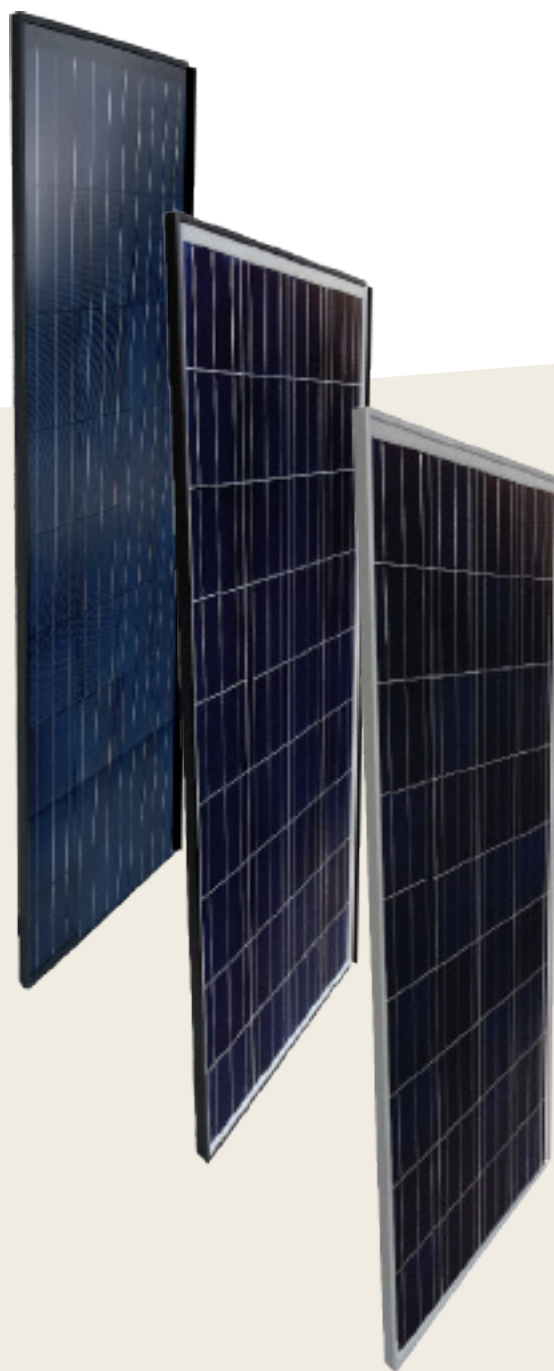
# SOLUXTEC

DIE MODUL MANUFAKTUR  
100% MADE IN GERMANY

## SOLUXTEC DAS MODUL 36

Multi Serie

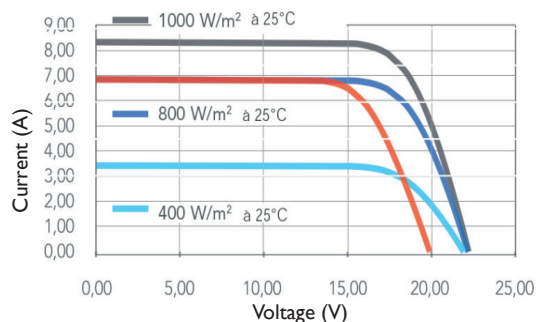
-  20 year warranty
-  Low carbon footprint
-  Extremely lightweight Design
-  100% Quality Assurance
-  Linear Performance Guarantee
-  5400 Pa max load capacity
-  Innovative Junction Box
-  Excellent thermal Properties
-  Positive performance Tolerance



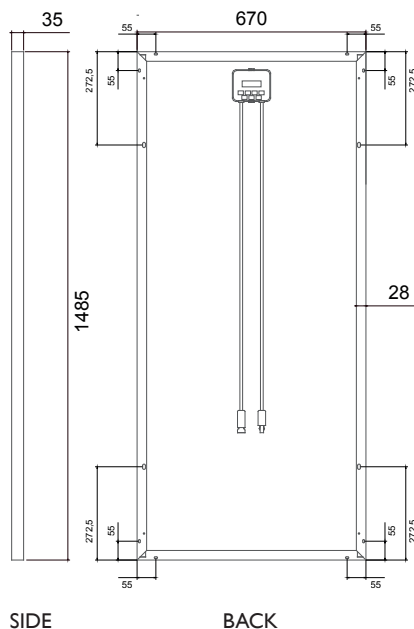
# SOLUXTEC DAS MODUL 36

## Multi Serie

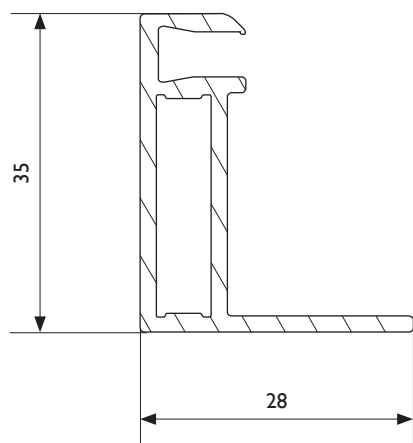
### I-V CURVES



### MODULE DIMENSIONS



### FRAME DIMENSIONS



### ELECTRICAL PERFORMANCE UNDER STANDARD TEST CONDITIONS, 1000 W/m<sup>2</sup>, AM=1.5

Maximum Power	P <sub>max</sub>	Wp	1,60
Open Circuit Voltage	V <sub>oc</sub>	V	23,20
Short Circuit	I <sub>sc</sub>	A	8,85
Maximum Power Point Voltage	V <sub>mpp</sub>	V	18,65
Maximum Power Point Current	I <sub>mpp</sub>	A	8,60
Efficiency	%		16,00

### ELECTRICAL PERFORMANCE UNDER NOCT, 800 W/m<sup>2</sup>, AM=1.5, T=20°C

Maximum Power	P <sub>max</sub>	Wp	1,17
Open Circuit Voltage	V <sub>oc</sub>	V	21,30
Short Circuit	I <sub>sc</sub>	A	7,10
Maximum Power Point Voltage	V <sub>mpp</sub>	V	17,00
Maximum Power Point Current	I <sub>mpp</sub>	A	6,90

### THERMAL CHARACTERISTICS

STC	25°
NOCT	45°
TC I <sub>sc</sub>	+0,058%/K
TC v <sub>oc</sub>	- 0,330%/K
TC P <sub>mpp</sub>	- 0,410%/K

### COMPONENTS

Cells Number	36
Technology	polycrystalline silicon
Cell Dimension	156 x 156 mm
Junction Box	IP 67 ventilated
Connector	JM601
Glass	tempered+patterned
Glass Thickness	3,2 mm

### GENERAL CHARACTERISTICS

Module Weight	11,5 kg
Color	black / white
Frame Color	black / silver
Total Thickness	35 mm

### INTEGRATION CHARACTERISTICS

Max. System Voltage	1000 Vdc
Protection Class	A
Operating Temperature Range	- 40 ... + 80
Max. Reserve Current	16 A

### CERTIFICATIONS

IEC 61215 IEC 61701  
EN 61730

### PERFORMANCE WARRANTY

Linear  
80,20% after 25 years

### PRODUCT WARRANTY

20 years

### POWER TOLERANCE\*

0/+3% of P<sub>mpp</sub>  
PFlash > P<sub>mpp</sub>

This data Sheet complies with the requirements of EN 50380.

Soluxtec reserves the right to make specification changes without prior notice (2017).

\* Flasher AAA, Power tolerance measurement of +/- 3%.

V01\_2017

[www.soluxtec.eu](http://www.soluxtec.eu)



## SOLUXTEC

Soluxtec GmbH, Werner von Siemens Str. 25, 54634 Bitburg  
Tel.: +49 65 61 69 37 265 Fax: +49 65 61 69 40 521  
E-Mail: [info@soluxtec.de](mailto:info@soluxtec.de) Web: [www.soluxtec.eu](http://www.soluxtec.eu)